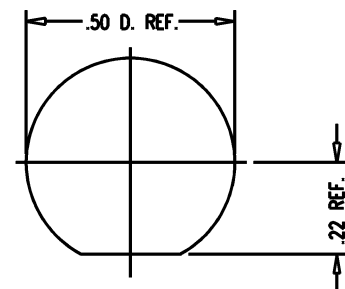
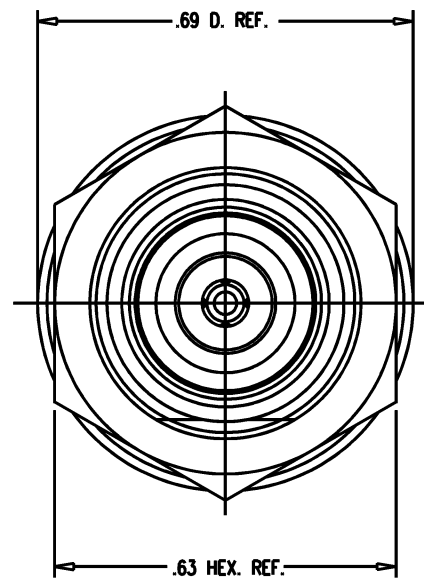
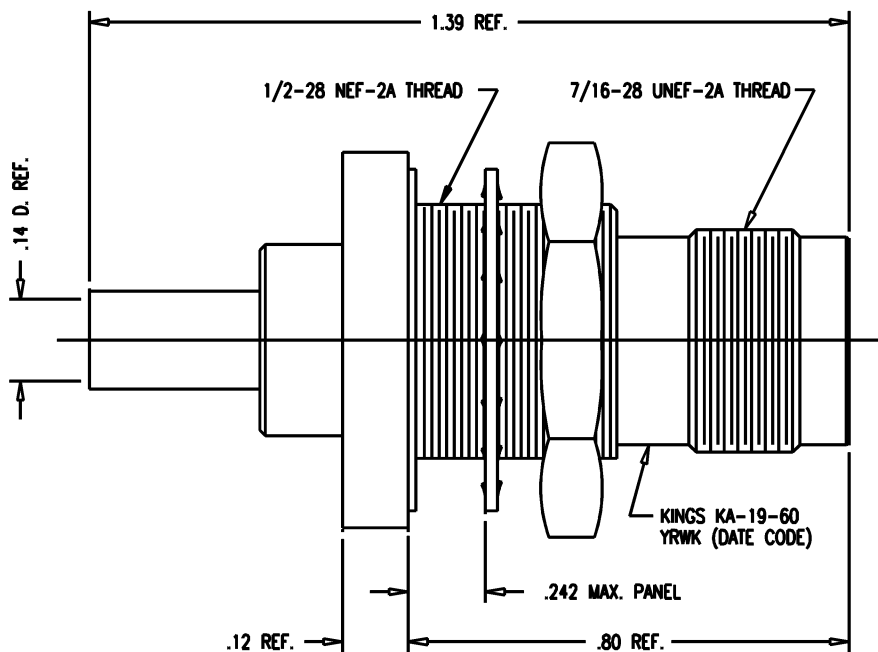


| | | |
|----------|--------|-----------|
| DASH NO. | M CODE | MADE FROM |
|----------|--------|-----------|



MOUNTING HOLE

GSD

GSD

KA-19-60

REVISIONS

| ISSUE | CHANGES |
|-------|--------------------------------------|
| 3 | CN 37095 C REDRAWN KH 08/20/96 |
| 4 | CN 37169 E PG 10/25/96 |
| 5 | CN 37178 A KH 11/21/96 |
| 6 | CN 37745 E HVN 01/14/99 |
| 7 | CN 37893 E TML 09/10/99 |

NOTES:

- FOR USE WITH RG-174, 188, 188A & 316/U CABLES.
- FOR CABLING INSTRUCTIONS SEE CP-407.
- FOR CRIMPING USE DIE KTH 2032.
- INTERFACE PER MIL-STD-348, FIG. 313-2.
- MATERIALS:
 - GASKETS: SILICONE RUBBER, QQ-R-765
 - K-GRIP SLEEVE: COM. BRONZE, ASTM-B-135
 - LOCKWASHER: PHOSPHOR BRONZE, ASTM-B-103
 - INSULATOR: TEFLON, ASTM-D-4894
 - CENTER CONTACT: BER. COPPER, ASTM-B-196
 - ALL OTHER METAL PARTS: BRASS, ASTM-B16
- FINISHES:
 - CENTER CONTACTS: SILVER PLATE PER QQ-S-365
 - ALL OTHER METAL PARTS: KINGS TARNISH RESISTANT NICKEL FINISH (TR-5)
- ELECTRICAL CHARACTERISTICS:
 - FREQUENCY RANGE: DC TO 11 GHz
 - VOLTAGE RATING: 500 VRMS
 - NOMINAL IMPEDANCE: 50 OHMS

KA1960S

SCALE 4:1

APPROX SURFACE AREA

USED ON

REF:

JACK, BLKHD, TNC

DRAWN KH DATE 08/20/96

DESIGN AR DATE 08/21/96

APPR. DATE

KINGS
ELECTRONICS CO., INC.
ROCK HILL, SOUTH CAROLINA 29730

KA-19-60